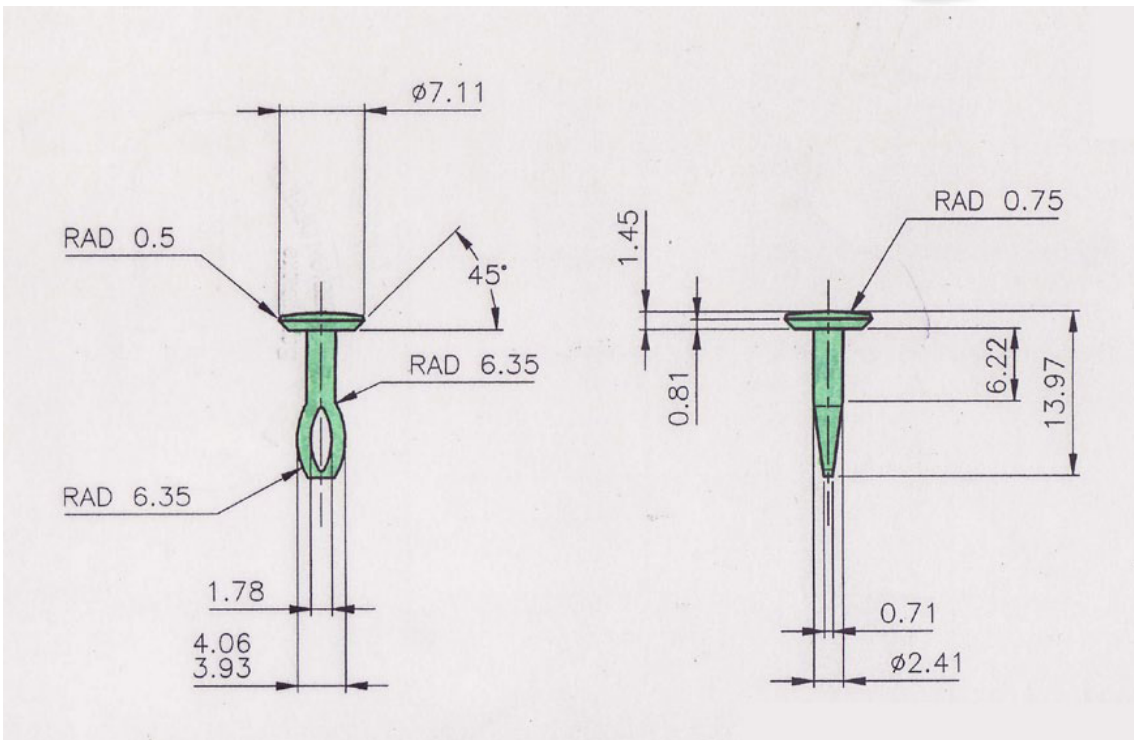


IC Tube Tak / Pin

Features:

- Length: 12mm



Product Code:	Description:	Size (mm)	Notes
030-0005F	IC Tube Tak / Pin	12	Pack of 25



Buy online at
www.antistat.com



Call us on
 +44 (0)1473 836 200



Email us at
info@antistat.com



Message us on Live Chat
www.antistat.com

Important Notice: This data sheet and its contents (the "Information") belong to Antistat or are licensed to it. No licence is granted for the use of it other than for information purposes in connection with the products to which it relates. No licence of any intellectual property rights is granted. The Information is subject to change without notice and replaces all data sheets previously supplied. The Information supplied is believed to be accurate but Antistat assumes no responsibility for its accuracy or completeness, any error in or omission from it or for any use made of it. Users of this data sheet should check for themselves the Information and the suitability of the products for their purpose and not make any assumptions based on information included or omitted. Liability for loss or damage resulting from any reliance on the Information or use of it (including liability resulting from negligence or where Antistat was aware of the possibility of such loss or damage arising) is excluded. © Antistat 2020.